

FOR SEQUENCE

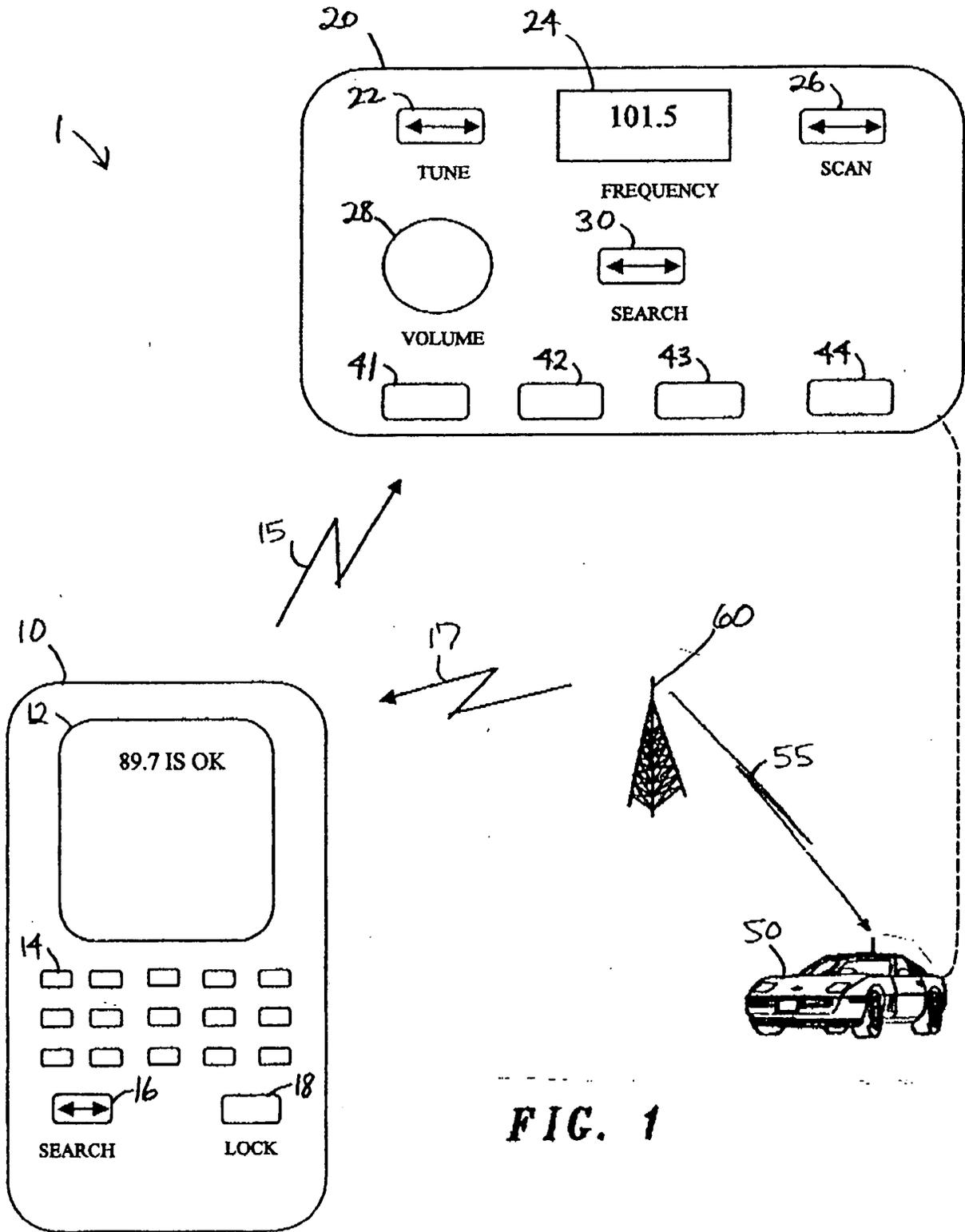
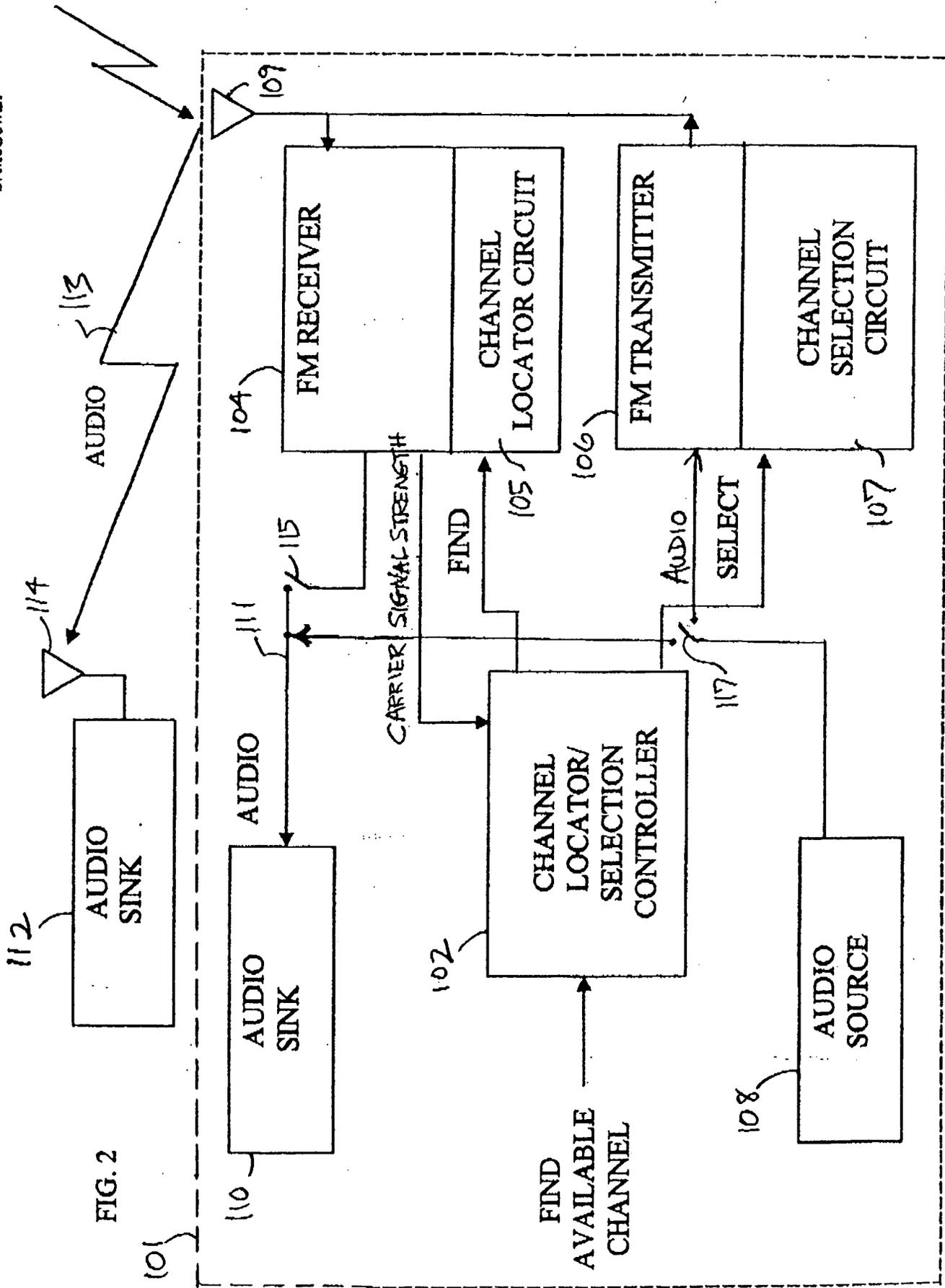


FIG. 1



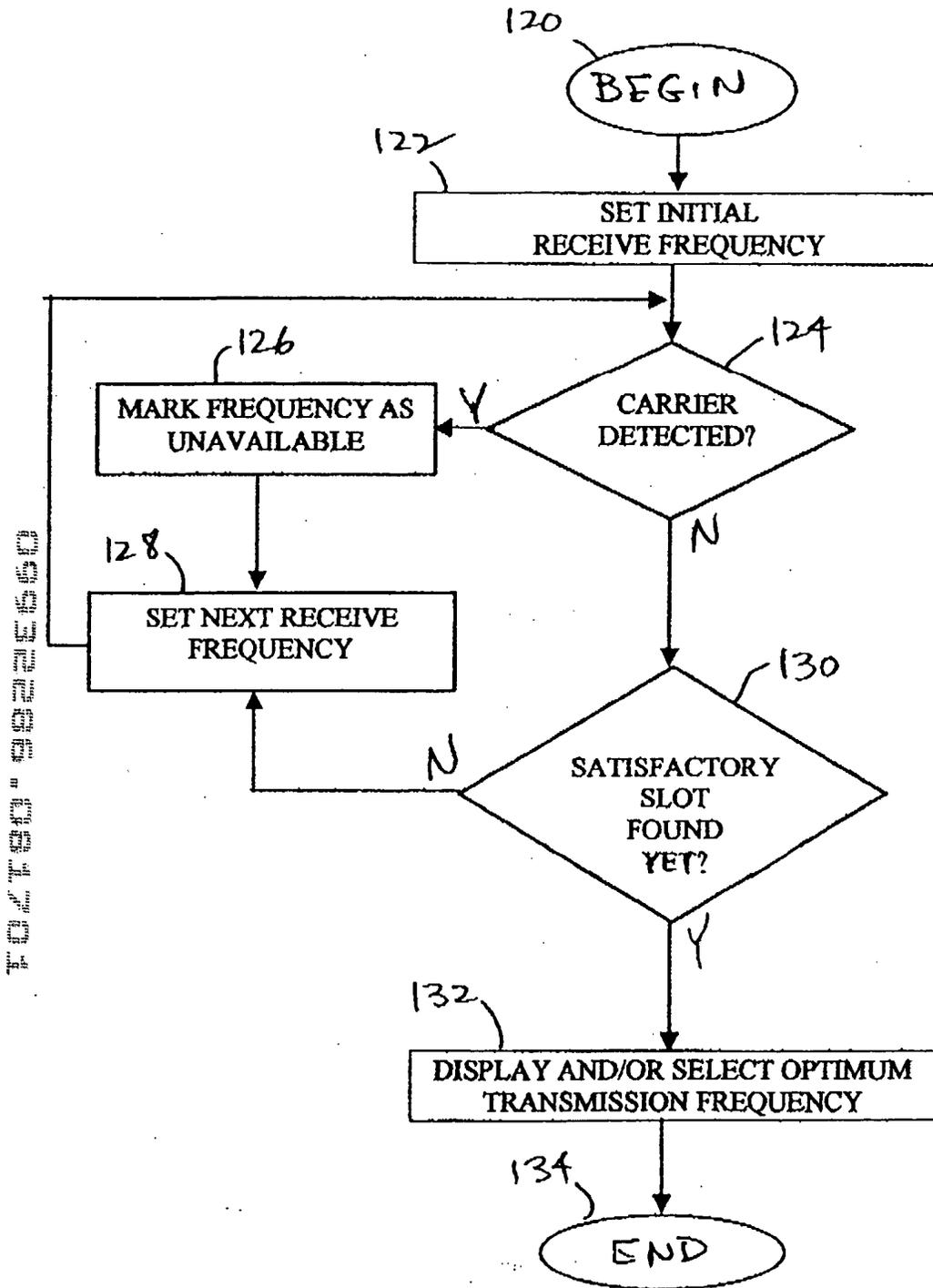


FIG. 3

200

FIG. 3

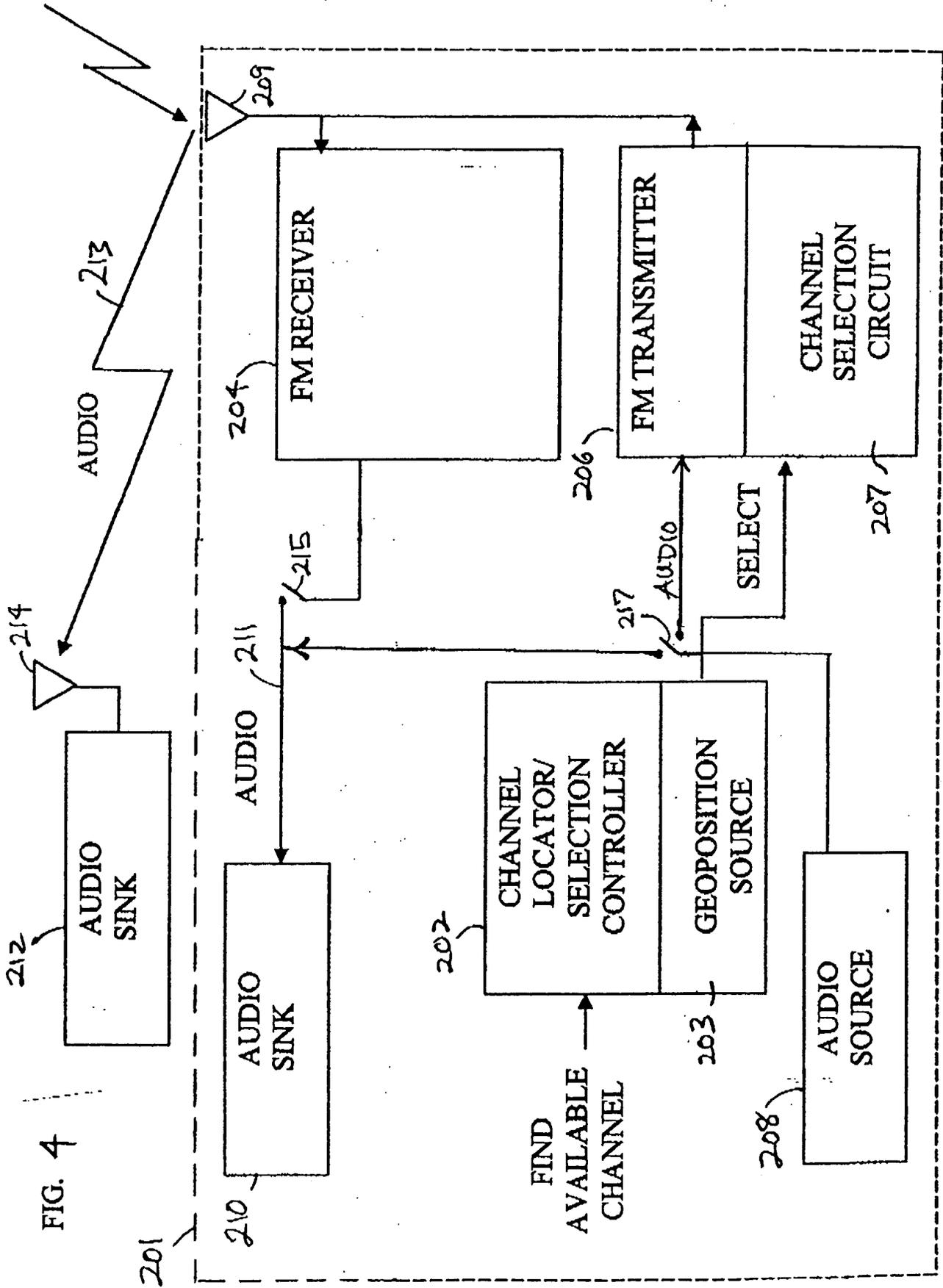


FIG. 4

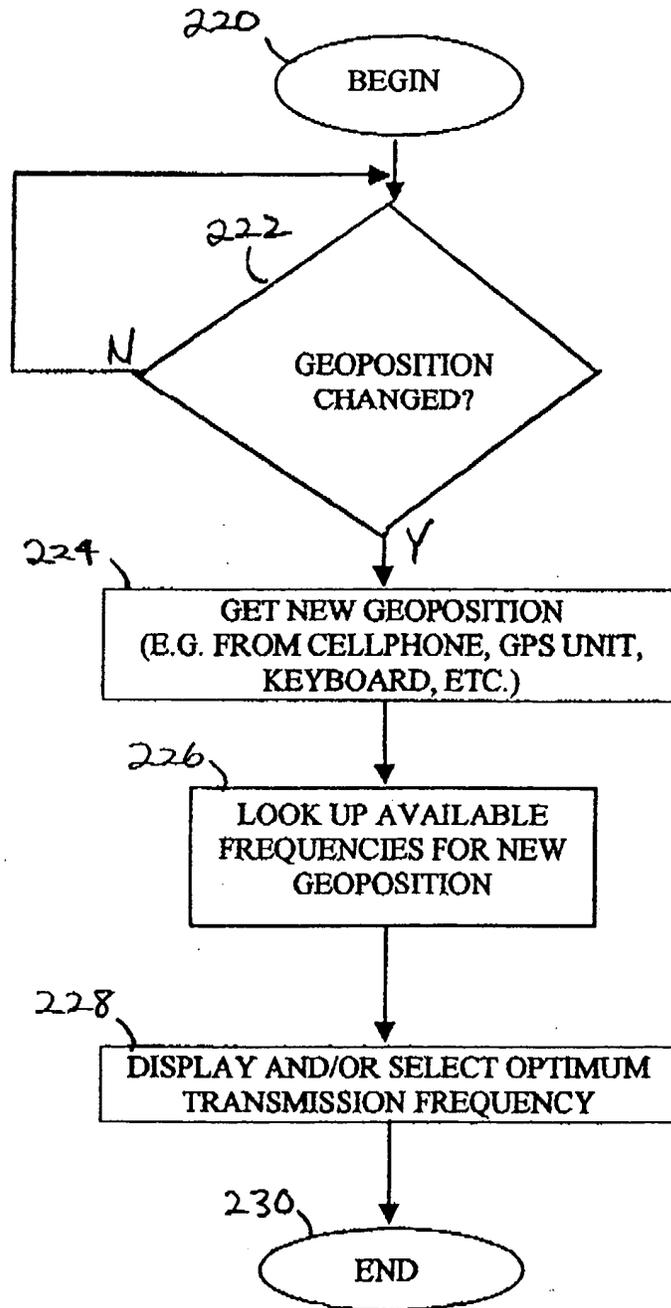


FIG. 5

FOR SEQUENCE

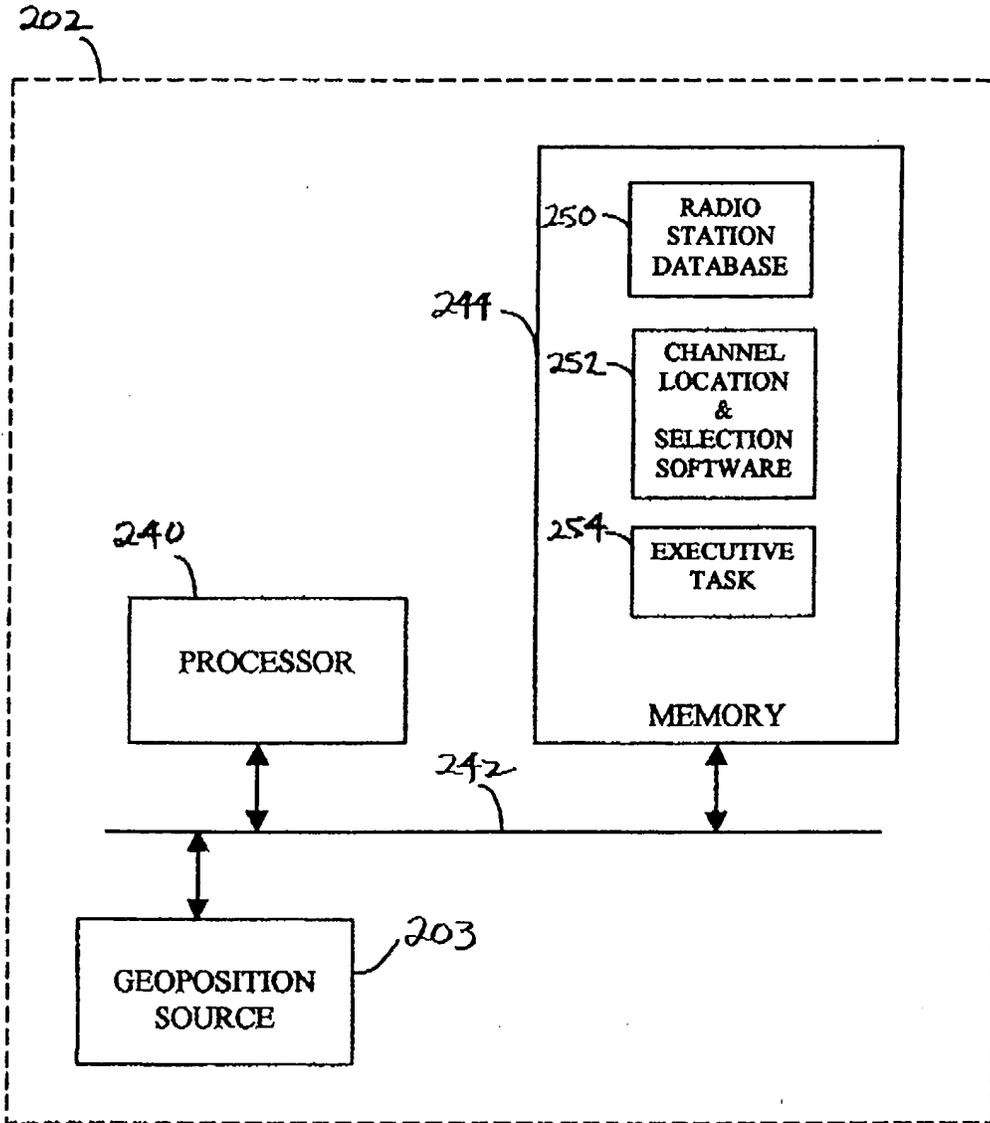


FIG. 6

FIG. 6

112 ↘

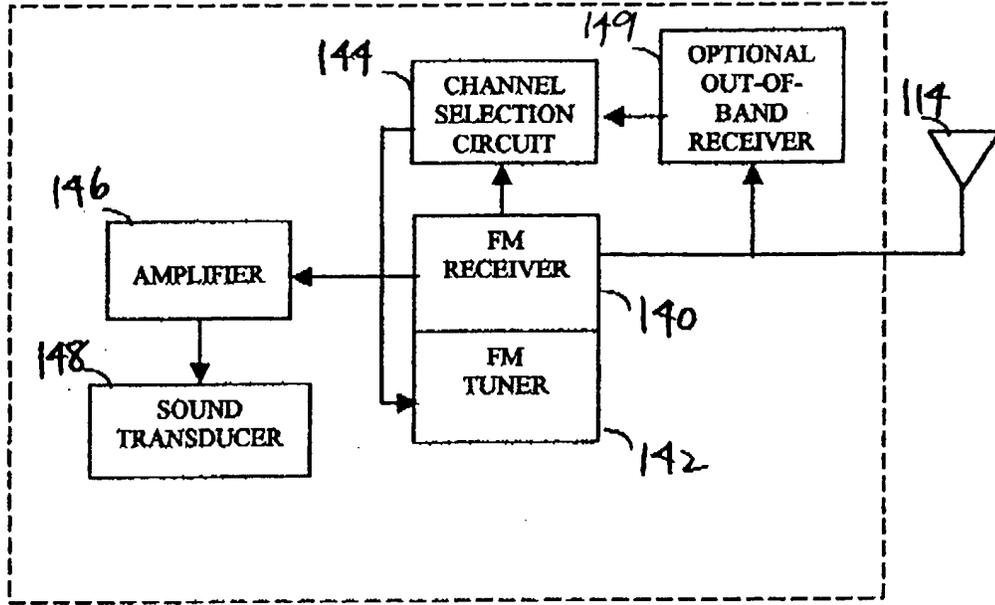


FIG. 7

FOR SEQUENCE

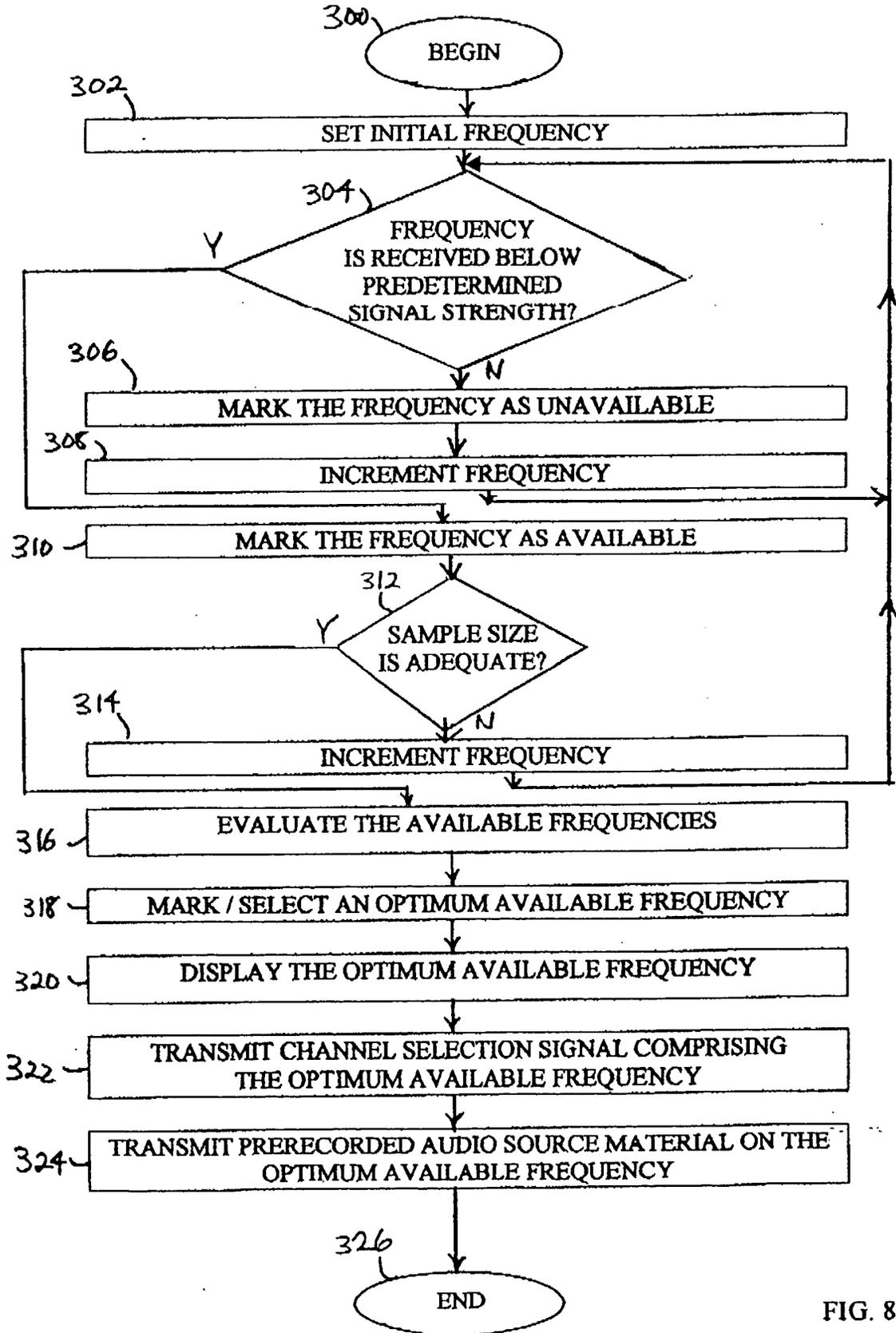


FIG. 8

FIG. 8

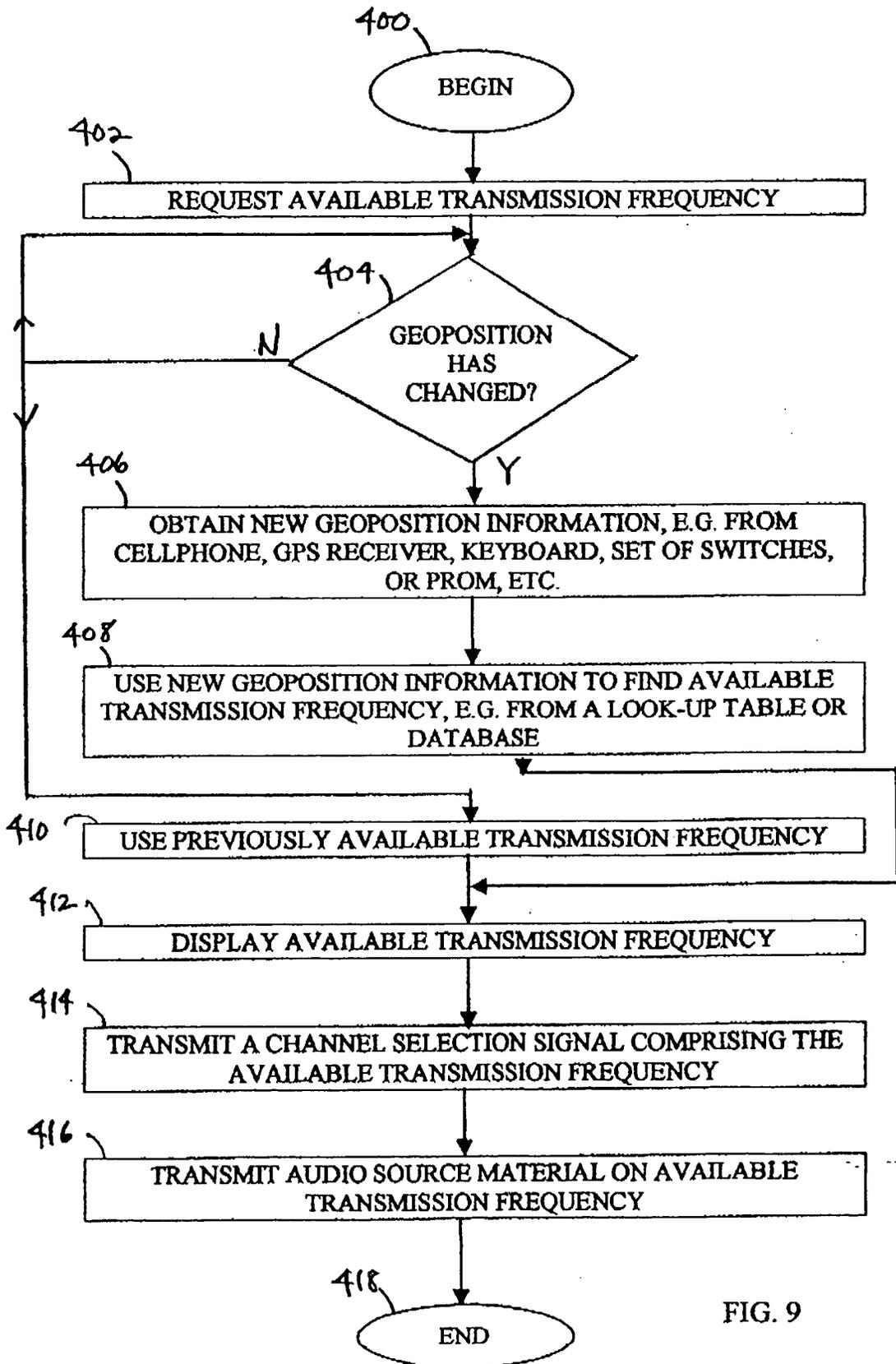


FIG. 9

FIG. 9 of 10

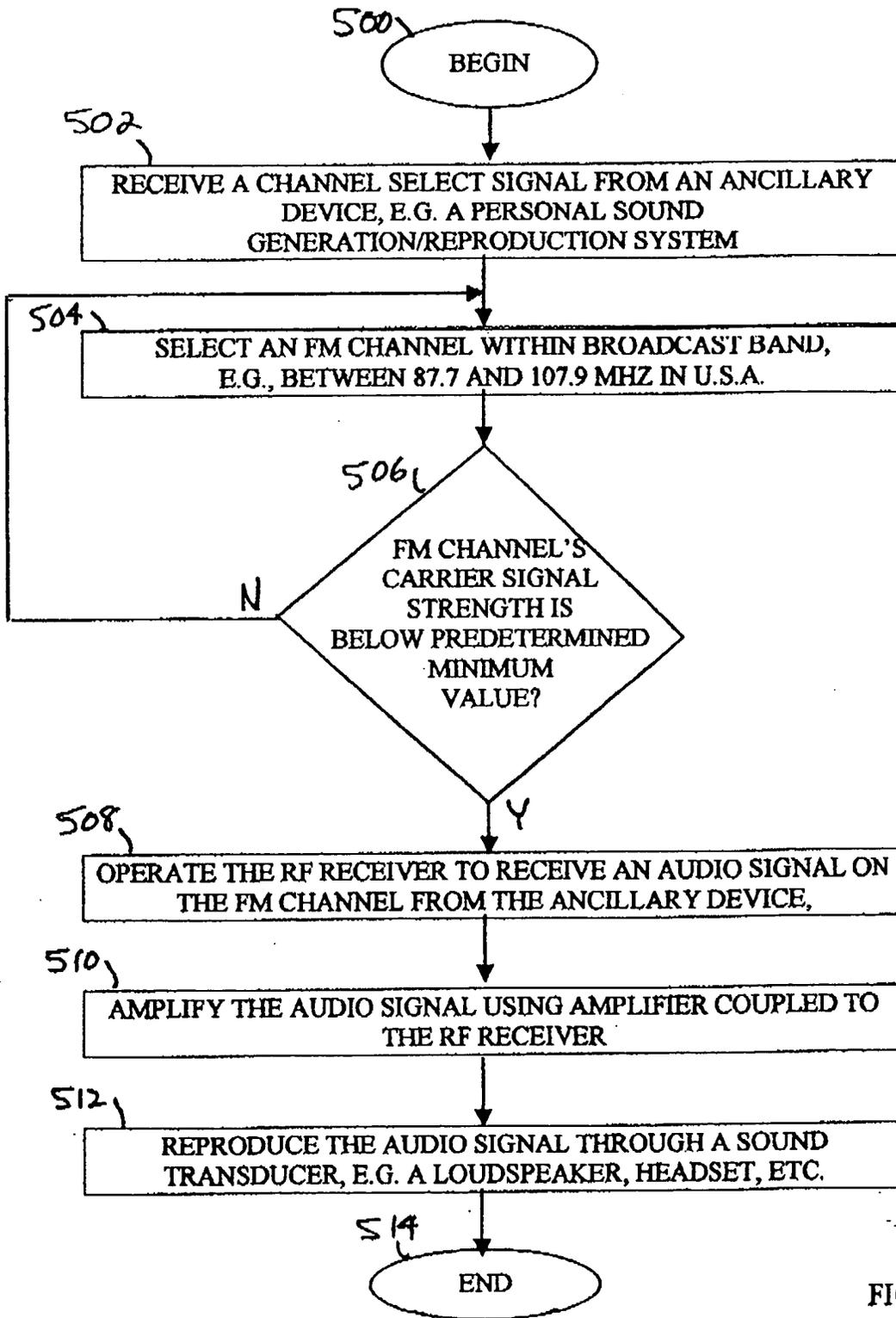


FIG. 10